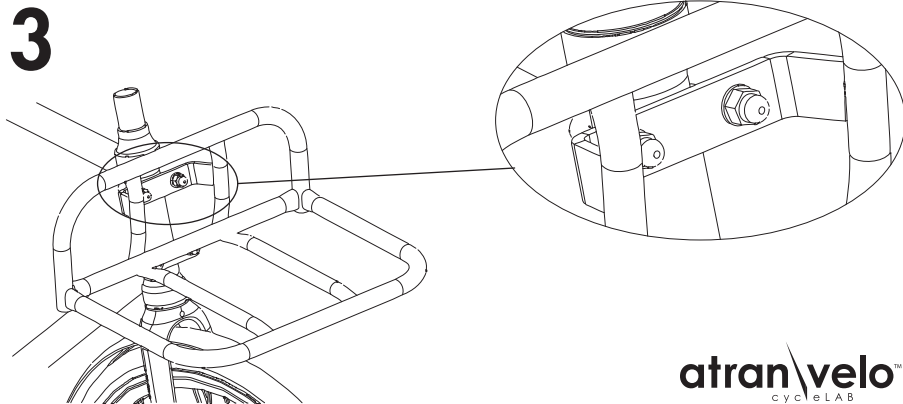
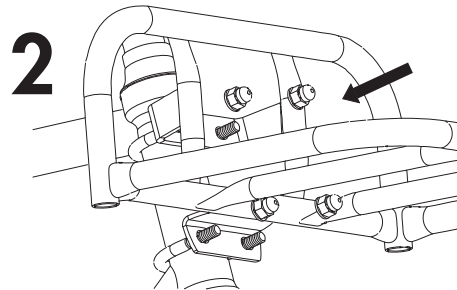
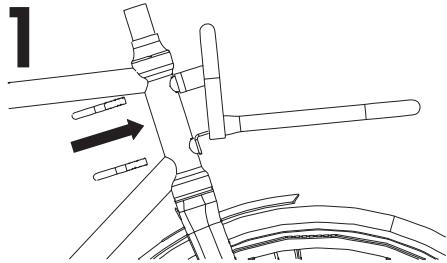
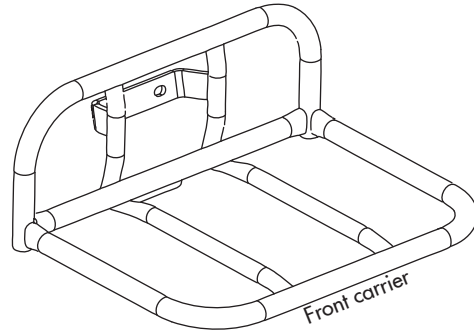
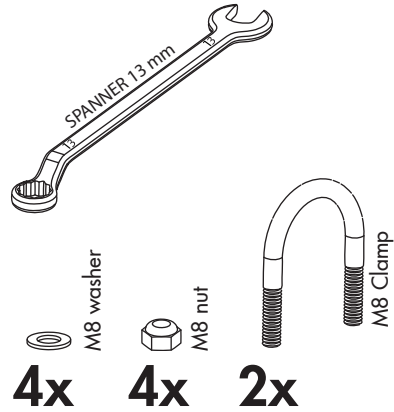


Front carrier

CARGO



atran velo[™]
cycleLAB

Warning: Always check the geometric data and the strength of the bicycle on which the luggage is to be mounted, are compatible with the luggage carrier specification.

Warning: The bicycle will behave differently, special steering and breaks when the luggage carrier is loaded. Always try out the bicycle on a secure place before a ride in the traffic.

Warning: Ensure that the luggage fitted to the luggage carrier is securely attached and that there are no loose straps that can get caught in the front wheel. Check before the bicycle rides that lamps and/or reflexes not is covered when the luggage is fitted on the luggage carrier. Try always to distribute the luggage as evenly as possible on the carrier.

Warning: Do not modify or rebuild the luggage carrier.

The maximum load capacity on this front luggage carrier is **10 Kilo**. This front luggage carrier is not designed or suitable for a child seat. This front carrier is tested and approved according to **EN14872**

This luggage carrier shall only be mounted and used for which it is designed.

Follow the instruction careful.

Be in the habit to frequently check all fasteners and visible damage on the luggage carrier.

ATRAN VELO AB
Mellangårdsvägen 12
SE-311 50 Falkenberg,
Sweden

www.atranvelo.com