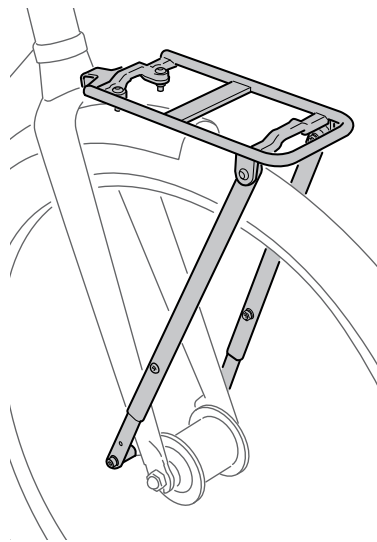


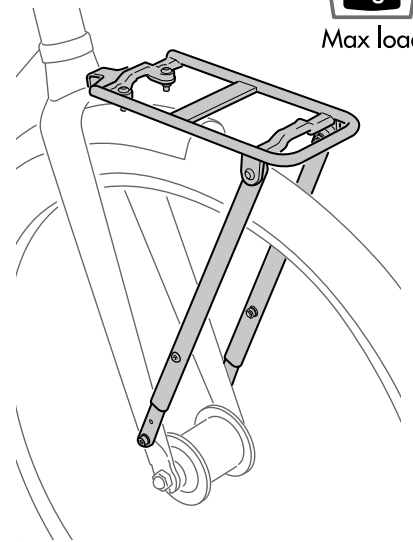
Luggage carrier
HYBRID AM

AtranVelo AB
Vinbergsvägen 4
311 50 Falkenberg
info@atranvelo.com

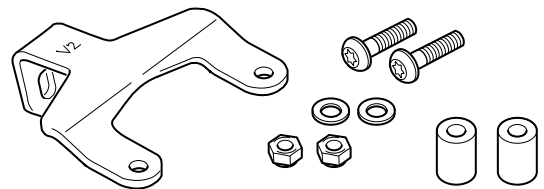
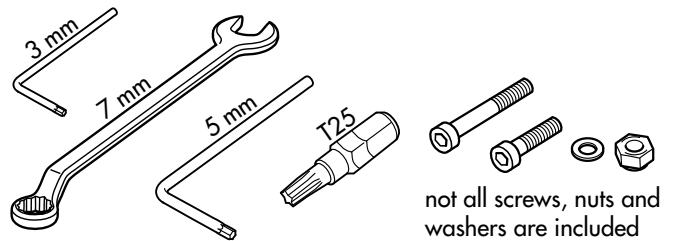
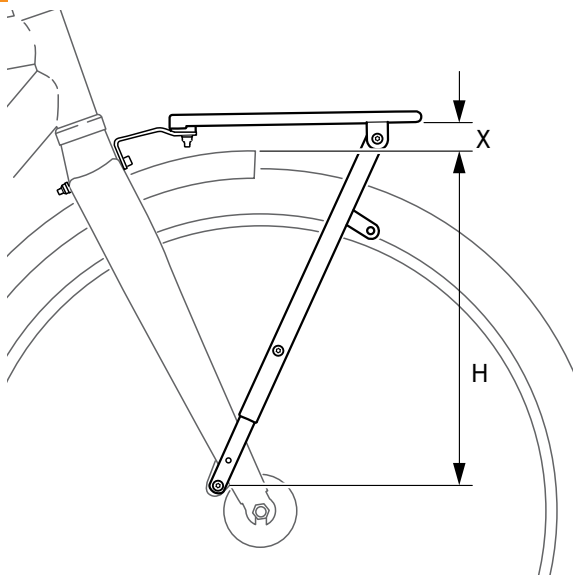
20"-24"



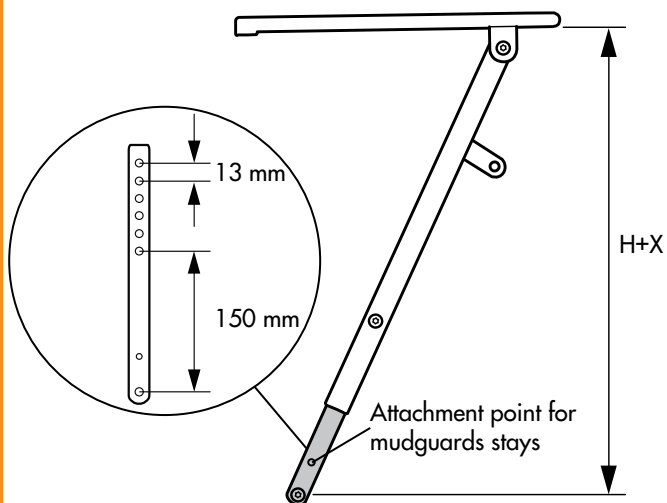
24"-29"



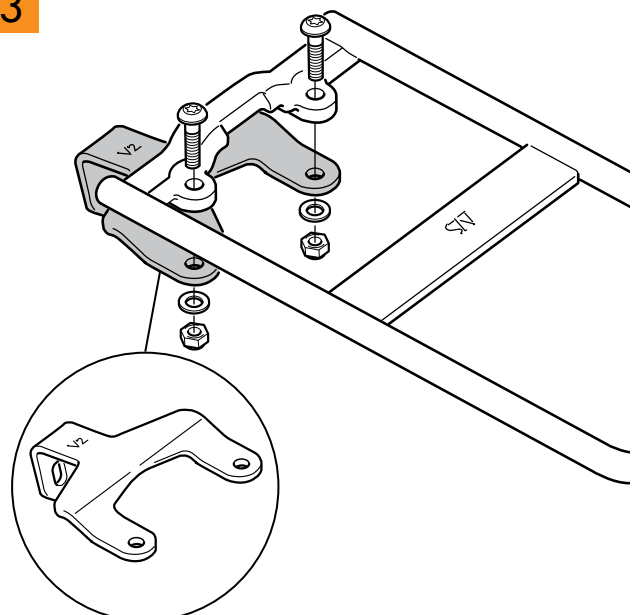
1



2



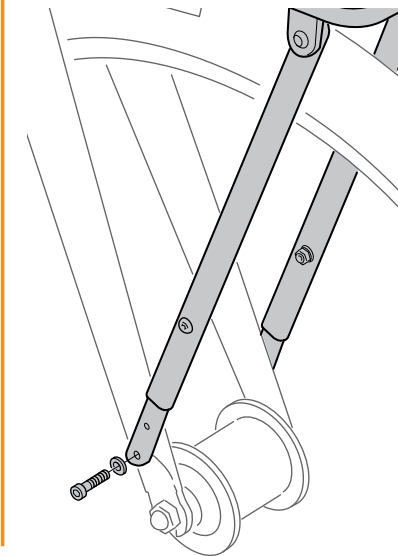
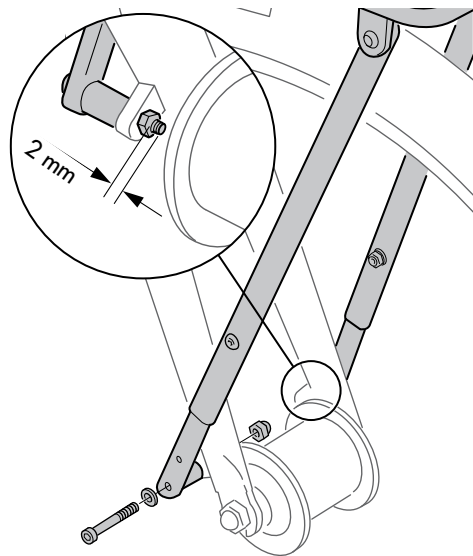
3



4a

alternativ

4b



Instructions for HYBRID AM

To get the most out of this product follow the information and instruction. This information shall be read and understood before use of HYBRID AM.

Keep the instruction in a safe way so that you can return to the instruction if necessary.

Model: HYBRID AM 20"-24" and 24"-29"

Warning!

a) Check the geometric data and the strength of the bicycle, on which the HYBRID AM is to be mounted, are compatible with the HYBRID AM specification. Contact your dealer where the bicycle is bought for help if you are unsure.

b) Read and follow the assembly instructions/routines carefully before starting installation. Recommended tightening torque for the fasteners shall be followed, according to the assembly instructions/routines. If no recommended torque are listed, ISO 898/1 shall be followed. **WARNING**, the fasteners supplied or recommended to be used, shall not be replaced or change. This include all screws, nut, washer, braces and/or brackets.

c) Maximum load capacity of this rack is 10 kg.

d) Under no circumstances shall the maximum load capacity be exceeded.

e) The HYBRID AM and associated fasteners should be checked regularly. Slightest sign of deviation shall be corrected immediately. Contact dealer where the bicycle was purchased for a proper review and possible action.

f) Right loaded, this HYBRID AM is a safe way to transport luggage in traffic. Check that there are no loose straps or pieces of luggage that can come down on/to the wheel while driving.

g) Under no circumstances shall this HYBRID AM be changed or modified.

h) **WARNING:** The bike behaves differently when luggage is loaded on the HYBRID AM. Always distribute the weight as evenly as possible on the carrier. Test ride the bicycle in a safe location before heading out into the traffic. Be aware that special steering and braking are affected when the HYBRID AM is loaded.

i) **WARNING:** before start riding the bicycle, ensure that any luggage fitted to the HYBRID AM is properly secured in accordance with the manufacturer's instructions and that there are no loose straps or similar, that can get caught in the wheel.

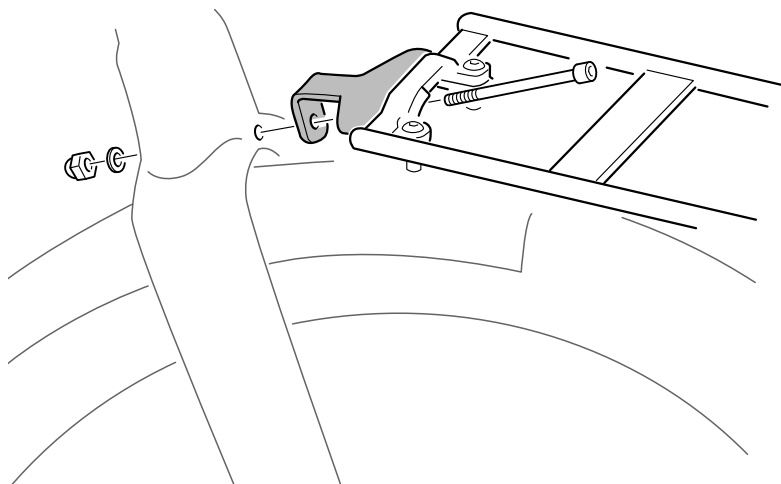
j) Lamps and reflectors should be mounted in the designated location in the front of the HYBRID AM. Check that the lamp and/or the reflex is approved in the country you riding the bicycle in. Before riding the bike, make sure that the luggage does not obscure the lights and/or reflectors.

k) Always distribute the luggage as evenly as possible on the HYBRID AM. Remember not to exceed the maximum load capacity.

l) Maximum compatible wheel size and tyre for the HYBRID AM is not specified. To avoid any problems, please contact your local specialist dealer for professional evaluation of bicycle geometry.

m) The type(s) of bicycles for which this HYBRID AM are intended, is a vehicle that has at least two wheels and is propelled solely or mainly by the muscular energy of the person on that vehicle, in particular by means of pedals, or a equipped with pedals and an auxiliary electric motor, which cannot be propelled exclusively by means of this auxiliary electric motor, except in the start-up assistance mode.

5



6

