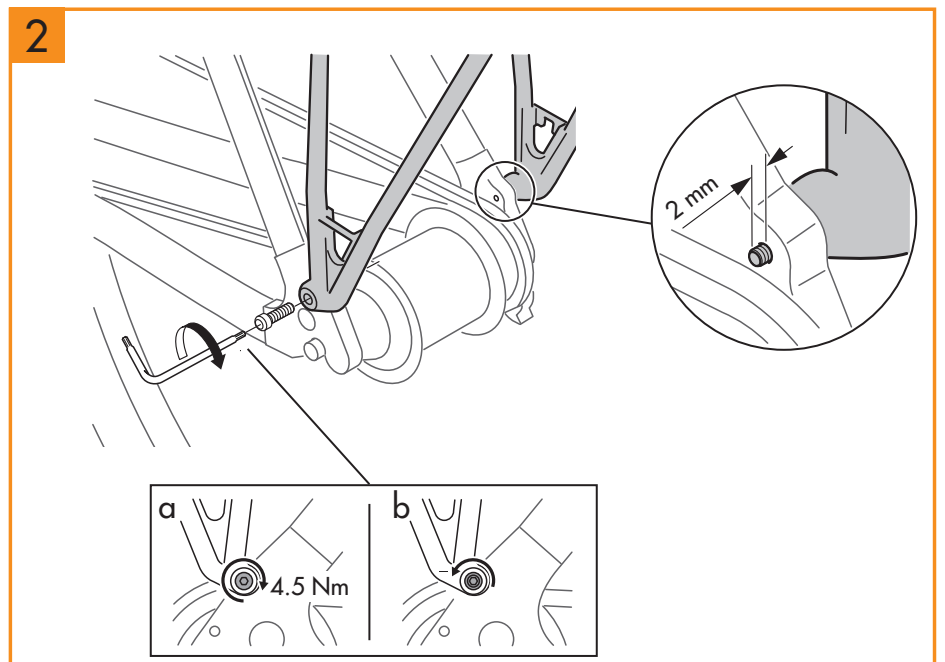
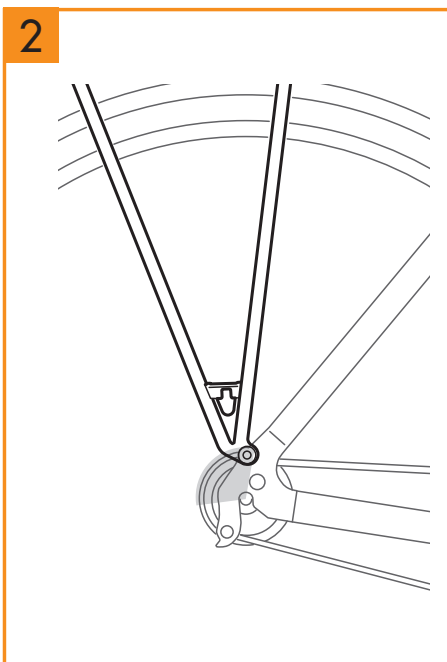
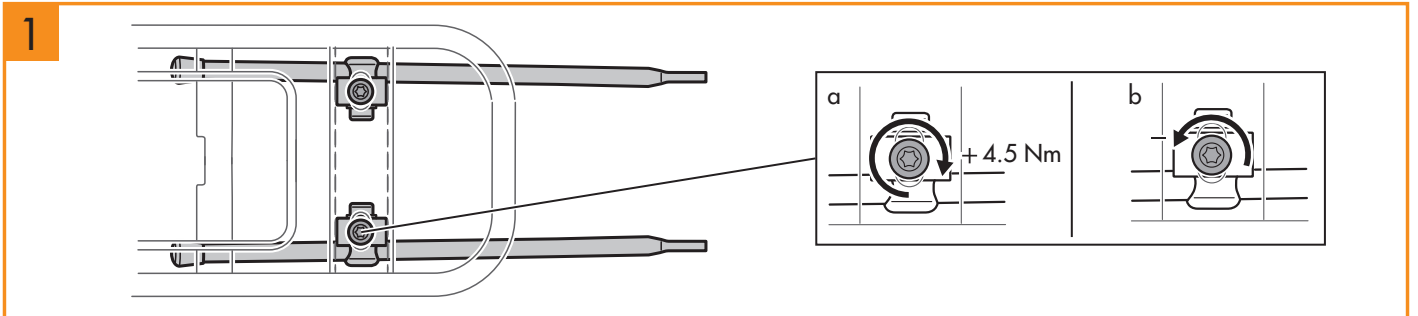
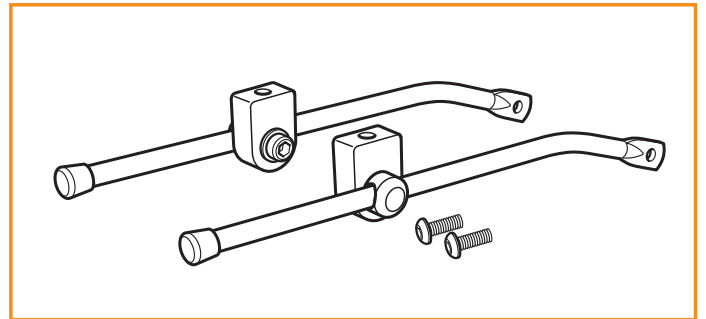
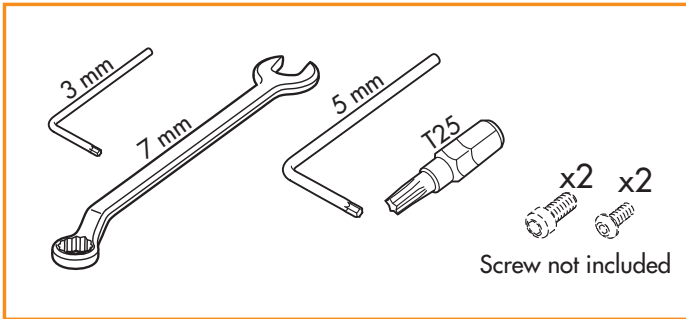
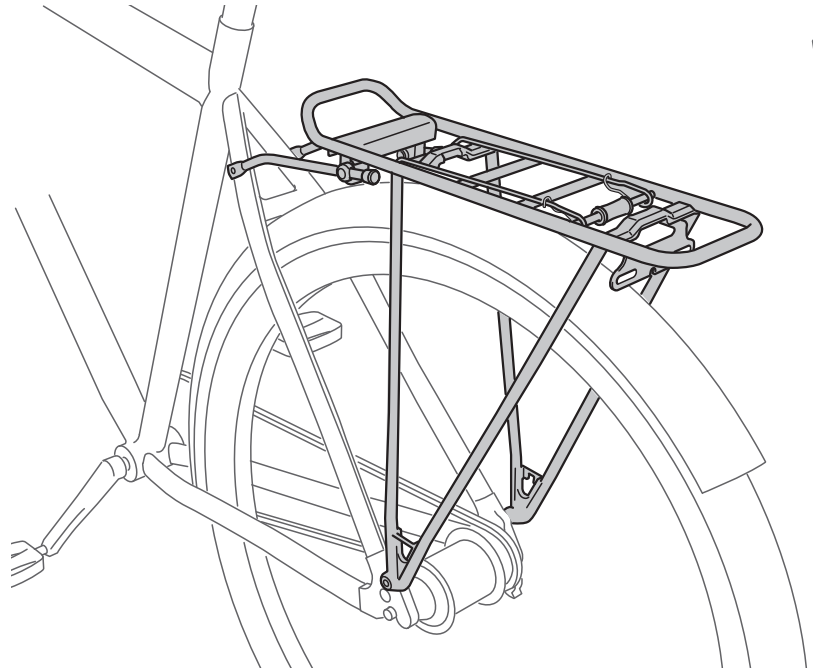
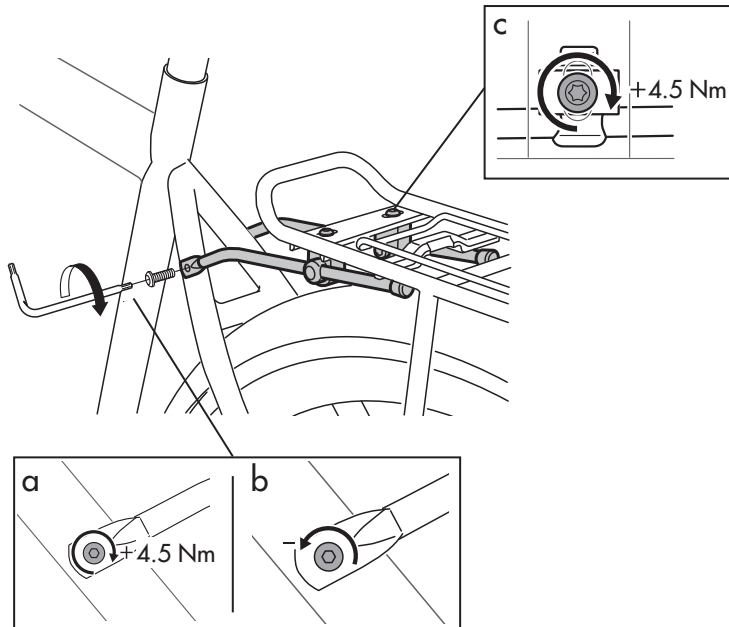


**Luggage carrier**  
**TOUR 365**

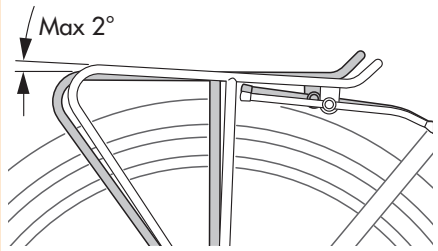
AtranVelo AB  
Vinbergsvägen 4  
311 50 Falkenberg  
info@atranvelo.com



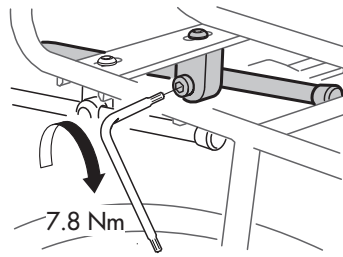
3



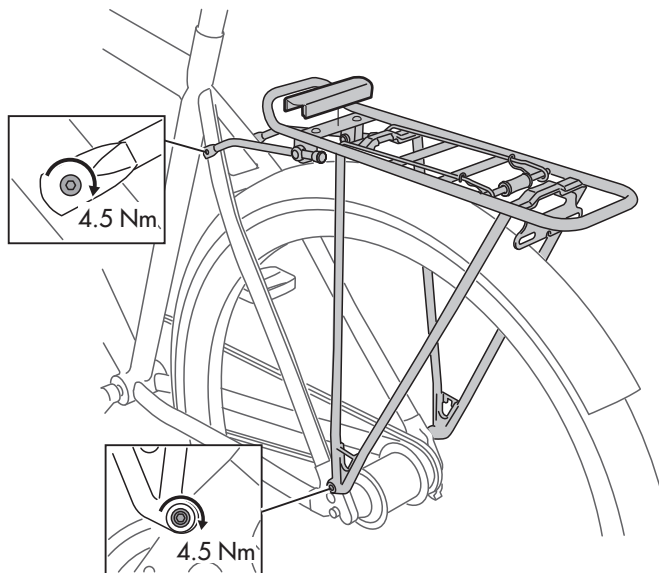
4



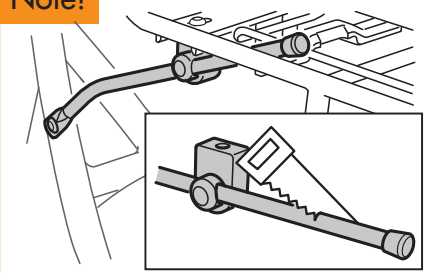
5



6



Note!



### Information for the luggage carrier TOUR 365

To get the most out of this product, follow the information and instruction. This information shall be read and understood before use of the TOUR LITE luggage carrier.

Keep the instruction in a safe way so that you can return to the instruction if necessary.

Model: TOUR 28" with AVS

### Warning!

a) Check the geometric data and the strength of the bicycle, on which the luggage carrier is to be mounted, are compatible with the luggage carrier specification. Contact your dealer where the bicycle is bought for help if you are unsure.

b) Read and follow the assembly instructions carefully before starting installation. Recommended tightening torque for the fasteners shall be followed, according to the assembly instructions. **WARNING**, the fasteners supplied or recommended to be used, shall not be replaced or changed. This includes all screws, nuts, washers, braces and/or brackets.

c) Maximum load capacity of this rack is 27 kg. This luggage carrier cannot be used to transport children in a child-Seat.

d) Under no circumstances shall the maximum load capacity be exceeded.

e) The luggage carrier and associated fasteners should be checked regularly. Slightest sign of deviation shall be corrected immediately. Contact dealer where the bicycle was purchased for a proper review and possible action.

f) Right loaded, this luggage carrier is the safest way to transport luggage in traffic. Check that there are no loose straps or pieces of luggage that can come down on/to the wheel while driving.

g) Under no circumstances shall this luggage carrier be changed or modified.

h) This luggage carrier can be used to pull a bicycle trailer. Be aware of your bicycle's specifications, and that the maximum load capacity of the luggage carrier and bicycle is not exceeded. Contact dealer where the bicycle is bought for professional assessment and assistance.

i) The bike behaves differently when luggage is loaded on the luggage carrier. Always distribute the weight as evenly as possible on the carrier. Test ride the bicycle in a safe location before heading out into the traffic. Be aware that special steering and braking are affected when the luggage carrier is loaded.

j) Before start riding the bicycle, ensure that any luggage fitted to the luggage carrier is properly secured in accordance with the manufacturer's instructions and that there are no loose straps or similar, that can get caught in the wheel.

k) Lamps and reflectors should be mounted in the designated location (if available) in the rear of the luggage carrier. Check that the lamp and/or the reflex is approved in the country you are riding the bicycle in. Before riding the bike, make sure that the luggage does not obscure the lights and/or reflectors.

l) Always distribute the luggage as evenly as possible on the luggage carrier. When side panniers are used make sure these are distributed as evenly as possible. Remember not to exceed the maximum load capacity.

m) Maximum compatible wheel size and tyre for the luggage carrier is not specified. The carrier should be able to handle 26"-29". In some cases this may still mean that the luggage carrier does not fit on the bike. To avoid any problems, please contact your local specialist dealer for professional evaluation of bicycle geometry.

n) The type(s) of bicycles for which this luggage carrier is intended, is a vehicle that has at least two wheels and is propelled solely or mainly by the muscular energy of the person on that vehicle.