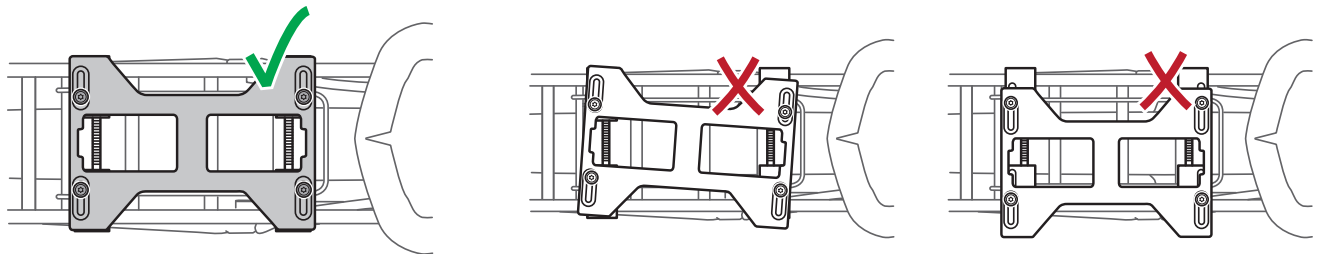
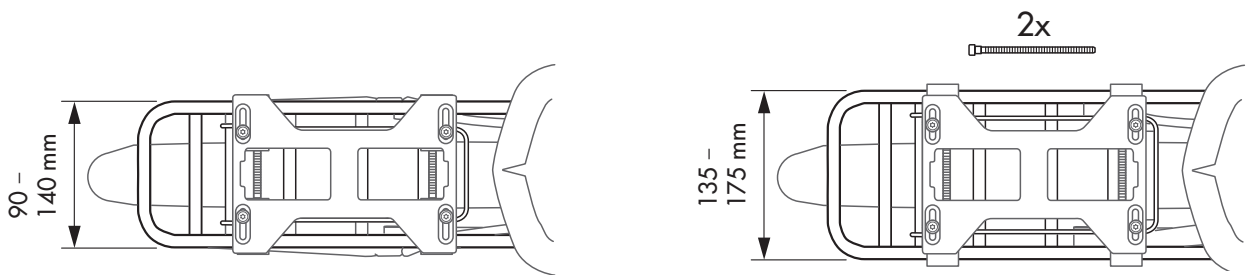
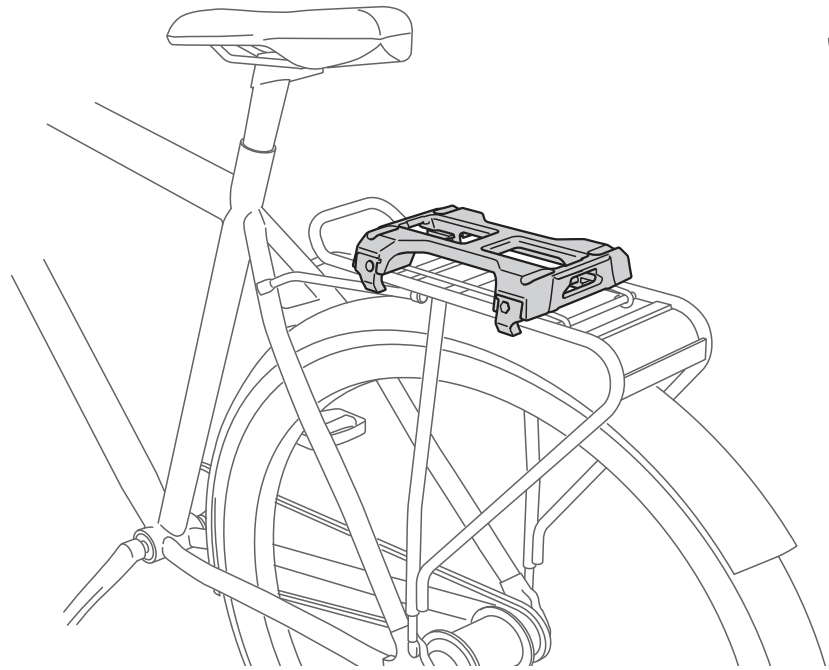
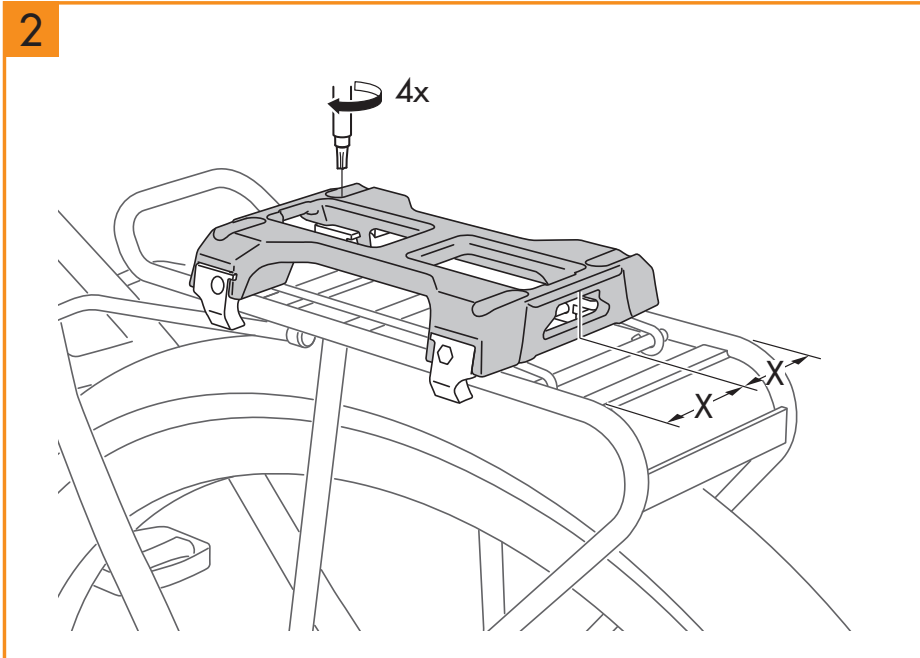
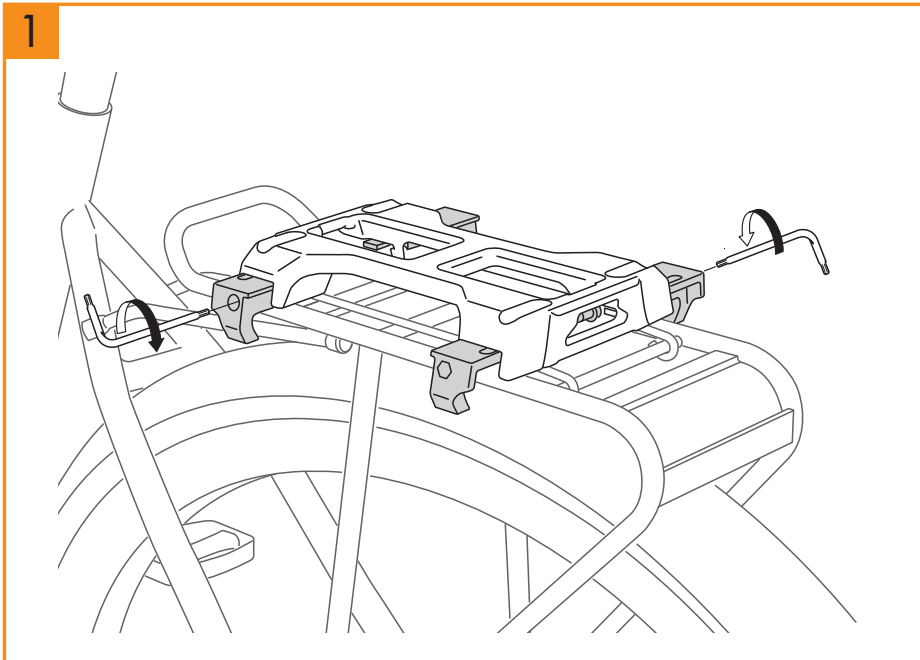
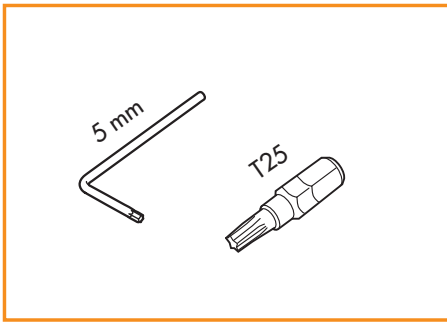


NEWRACK 2.0

AtranVelo AB
Vinbergsvägen 4
311 50 Falkenberg
info@atranvelo.com





Information for the Newrack 2.0 adapter for AVS

To get the most out of this product, follow the information and instruction carefully. This information shall be read and understood before use of this NEWRACK 2.0.

Keep the instruction in a safe way so that you can return to the instruction if necessary.

Model: NEWRACK 2.0

Warning!

- a) Check the geometric data and the strength of the bicycle, on which the NEWRACK 2.0 is to be mounted. Contact your dealer where the bicycle is bought for professional assessment and assistance if you are unsure.
- b) For safety reasons must the luggage carrier mounted on the bicycle have been approved according ISO 11243:2016 and in a weight class equal to or higher than the maximum weight for which the AVS-accessories are approved to, which shall be clicked on NEWRACK 2.0. Pay attention to the point **a**, **c** and **f**.
- c) The NEWRACK 2.0, the luggage carrier and associated fasteners should be checked regularly. Slightest sign of deviation shall be corrected immediately. Contact dealer where the NEWRACK 2.0 and/or luggage carrier/bicycle was purchased for a proper review and possible action.
- d) Right loaded, this NEWRACK 2.0 is a safe way to transport luggage on a bicycle in the traffic. Check that there are no loose straps or pieces of luggage that can come down on/to the wheel while driving.
- e) Under no circumstances shall this NEWRACK 2.0 be changed or modified. The warranty will be no longer valid once modifications have been made to the product or when the product has not been assembled or used according to the instruction supplied.
- f) The bike behaves differently when the NEWRACK 2.0 is loaded and mounted on a luggage carrier. Test ride several times in a safe location before heading out into the traffic. Be aware that special steering and braking are affected when the NEWRACK 2.0 is loaded.
- g) Before start riding the bicycle, ensure that the AVS-accessories clicked on to the NEWRACK 2.0 is properly secured in accordance with the manufacturer's instructions and that there are no loose straps or similar, that can get caught in the wheel.
- h) Always distribute the luggage as evenly as possible. Remember not to exceed the maximum load capacity.
- i) **The manufacturer:** AtranVelo AB,
Vinbergsvägen 4, 311 50 Falkenberg
Brand: AtranVelo
- j) The type(s) of bicycles for which this NEWRACK 2.0 are intended, is a vehicle that has at least two wheels and is propelled solely or mainly by the muscular energy of the person on that vehicle, in particular by means of pedals, or a equipped with pedals and an auxiliary electric motor, which cannot be propelled exclusively by means of this auxiliary electric motor, except in the start-up assistance mode.