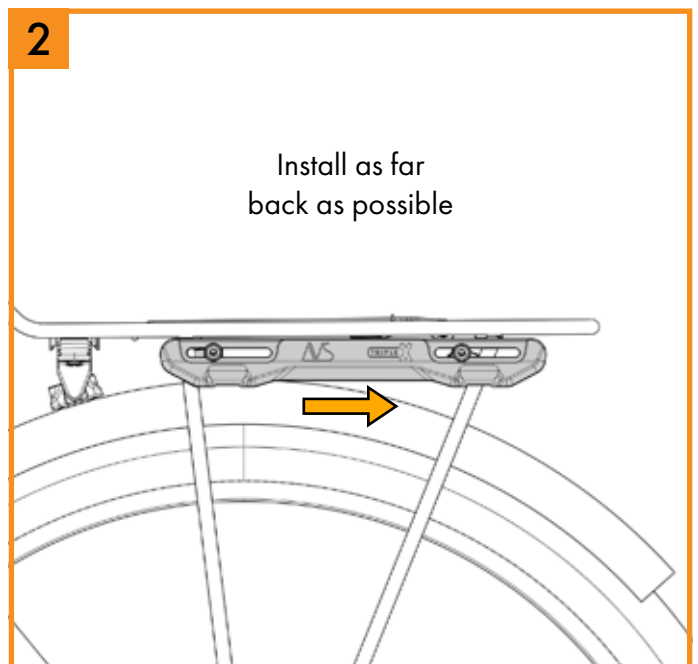
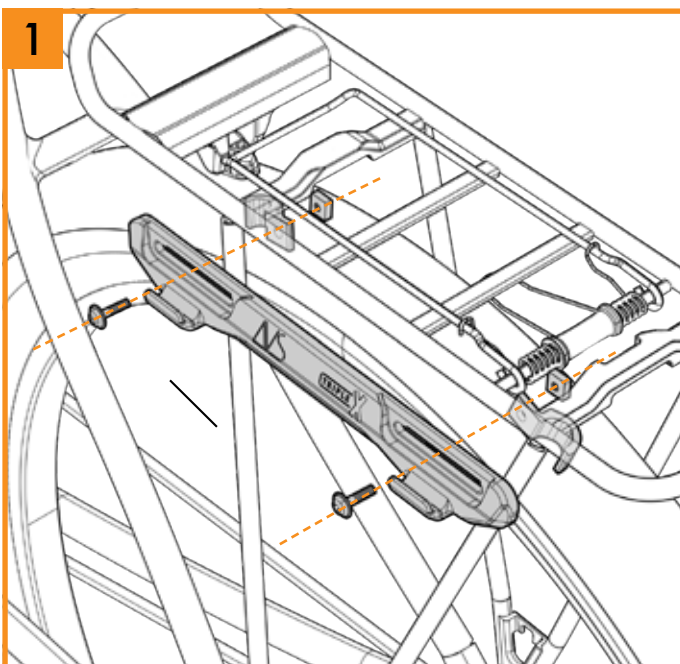
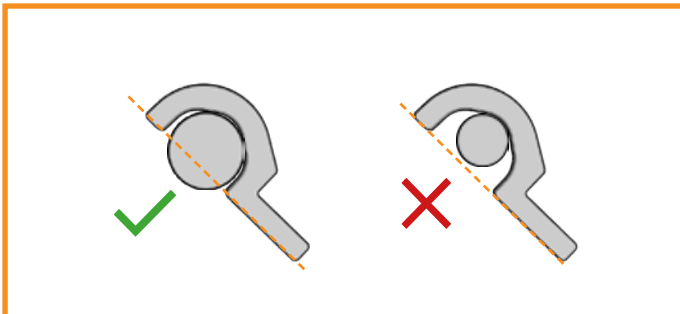
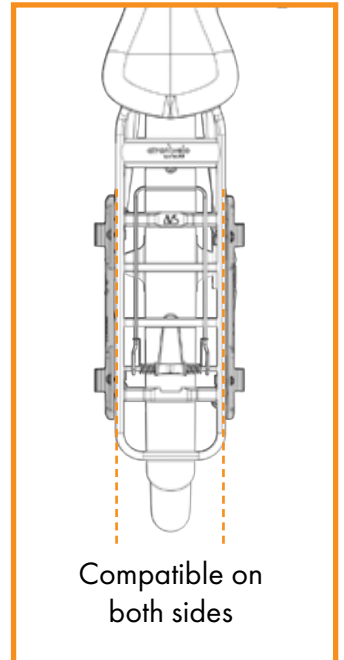
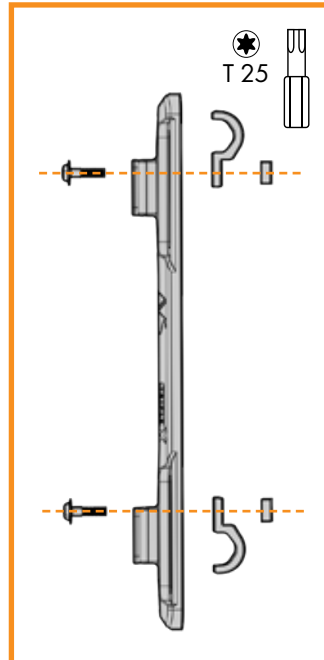
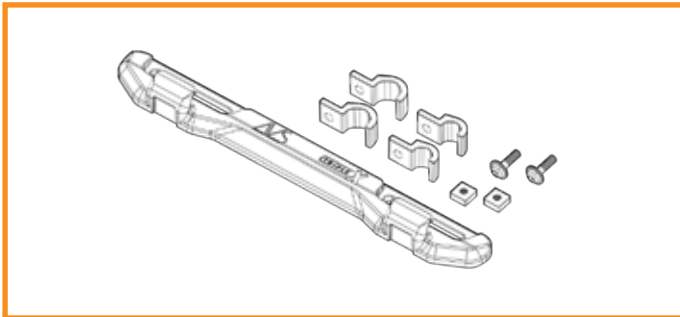
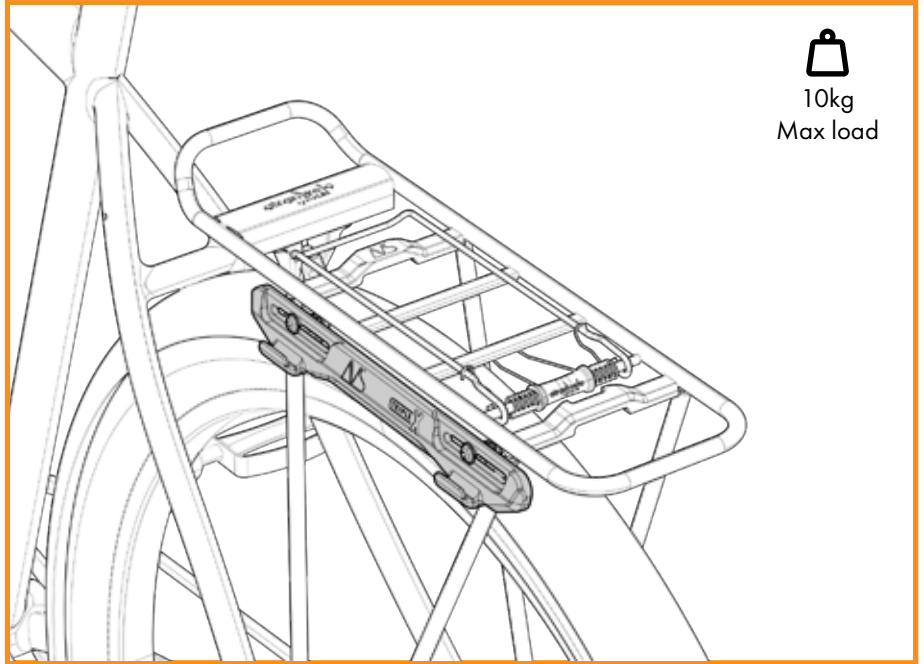
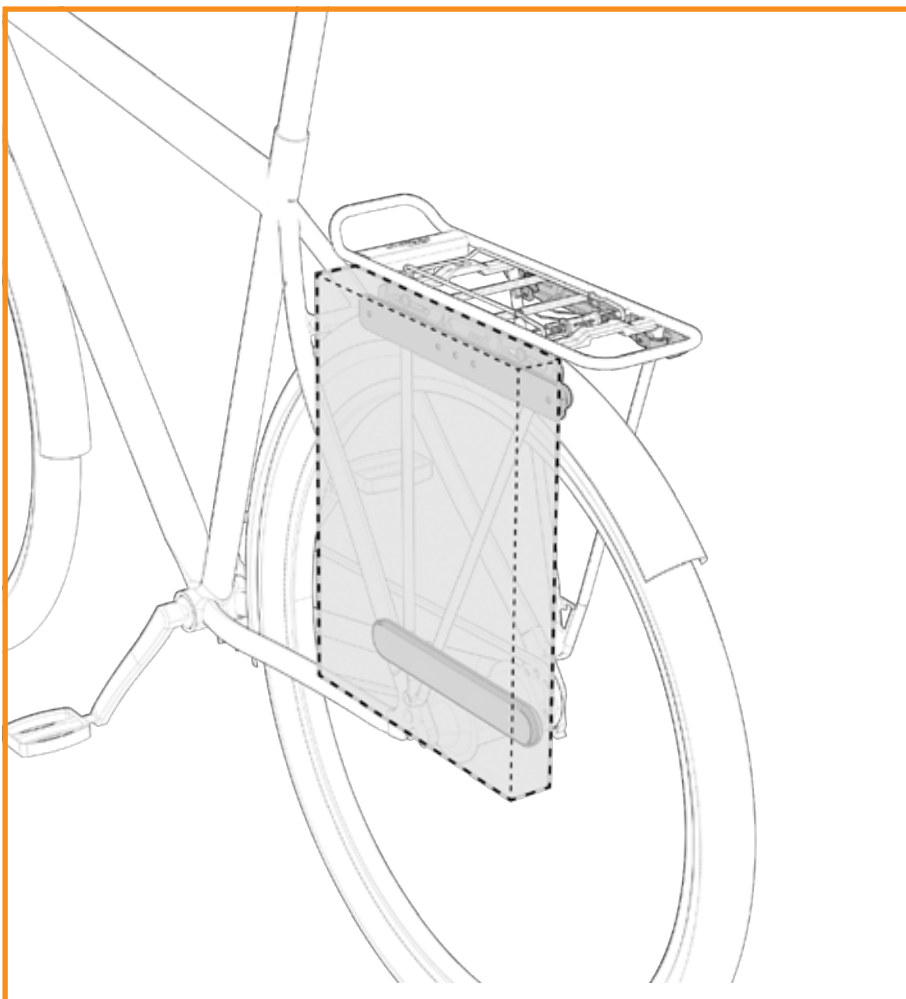
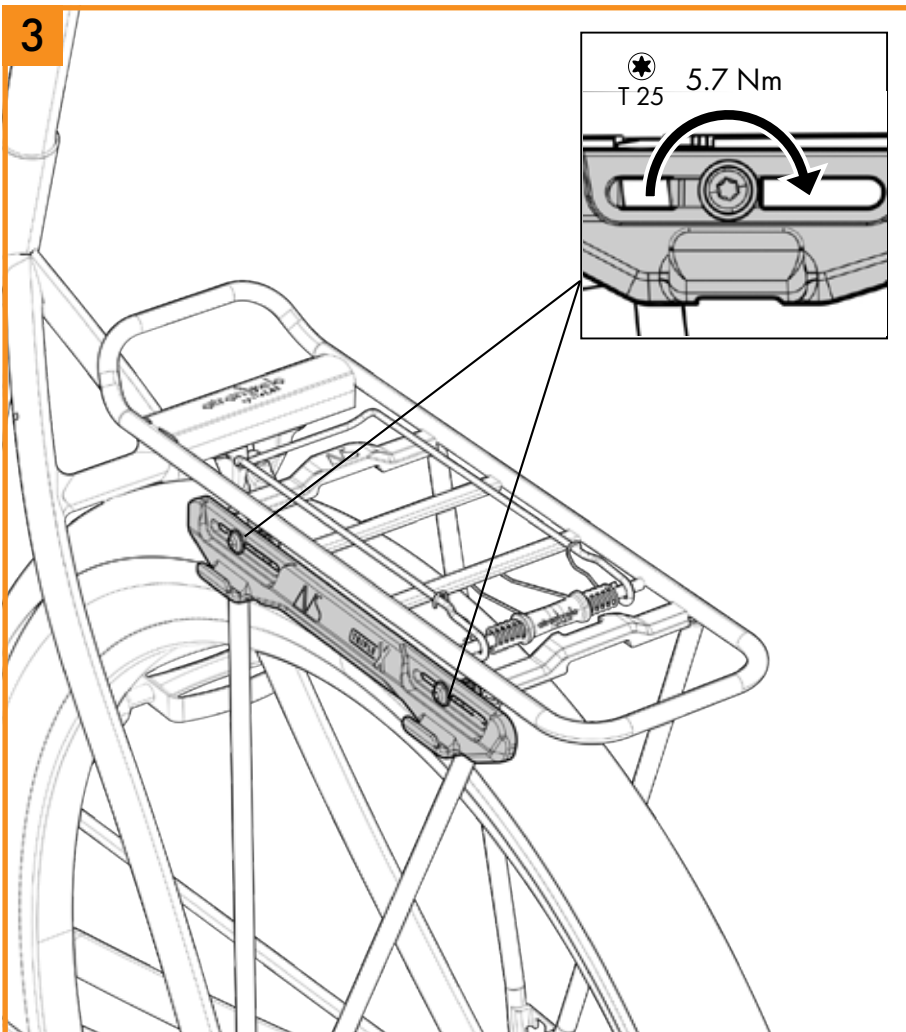


AVS-SIDE UNI

AtranVelo AB
Vinbergsvägen 4
311 50 Falkenberg
Infor@atranvelo.com


10kg
Max load





Read the instructions carefully for correct and safe installation. Pictures or sketches do not prevent reading and understanding the text in this instruction. For more information about AtranVelo visit us at www.atranvelo.com. If you have questions about the TRIPLE X UNI or these instructions, please, contact our customer service via info@atranvelo.com.

Failure to follow this instruction may result in injury. OUR INSTRUCTIONS ON THE ARTICLE MAY BE UPDATED/CHANGED. CHECK OUR WEBSITE FOR ANY UPDATES. www.atranvelo.com

Warning!

- Maximum load capacity of TRIPLE X UNI is 10 kg / 22 lbs.
- Check the TRIPLE X UNI and the AVS accessories regularly to ensure they are functional and not damaged. The slightest sign of deviation must be corrected immediately. If so, contact the dealer where the accessories were purchased for proper review and possible action.
- Under no circumstances may the TRIPLE X UNI be modified.
- Do not exceed the maximum load capacity.
- Before heading out on the road, check that the AVS-side accessory does not disturb the foot/heel when pedaling around the pedal.
- Before the bicycle ride check that there are no loose straps that can get caught in the wheel and reflectors and lamps such that these are not obscured when the accessories are attached to the luggage carrier.
- The bicycle can behave differently when luggage is loaded onto the TRIPLE X UNI. Test ride the bicycle in a safe place before heading out on the road. Be aware that especially the steering and brakes are affected.